



**COMP Cams® XR-1A Ignition Coil Mounting Kit for
COMP Cams® LS Valve Covers (Part # 290-XR-KIT)**

Thank you for choosing COMP Cams® products; we are proud to be your manufacturer of choice. Please read this instruction sheet carefully before beginning installation, and also take a moment to review the included limited warranty information. Contact us toll free at 1.800.999.0853 or at www.compcams.com under Tech Support with any questions.

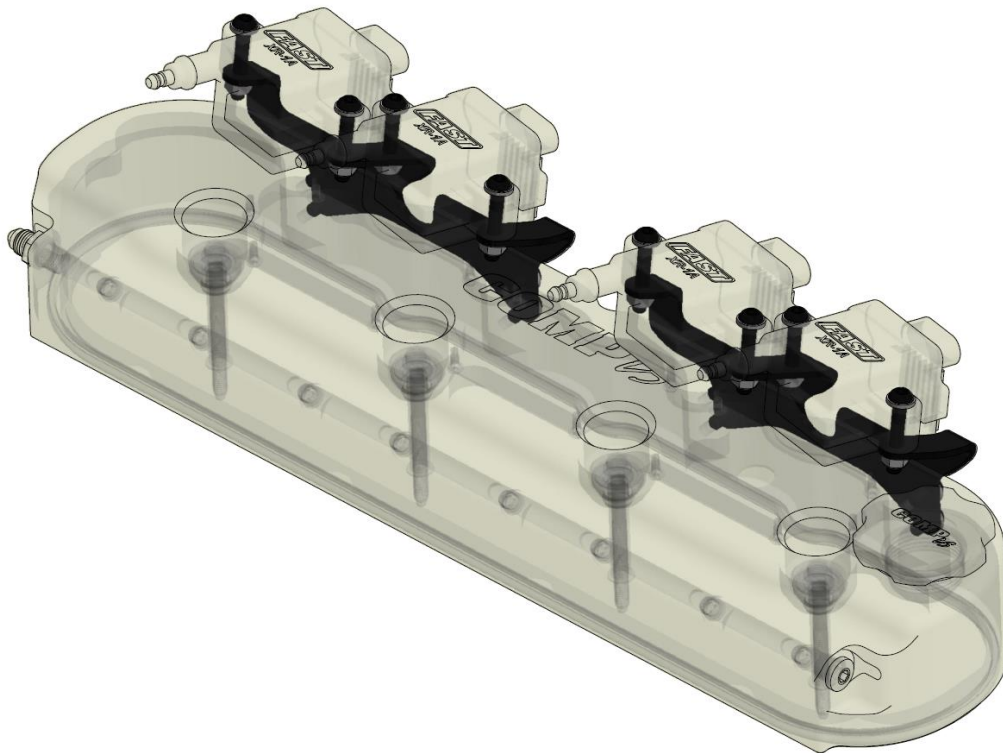


Table 1 - P/N 290-XR-KIT Bill of Materials

PARTS LIST FOR 290-XR-KIT COMP CAMS® XR-1A COIL MOUNT KIT			
ITEM	QTY	P/N	DESCRIPTION
1	4	290-XR	HORIZONTAL COIL MOUNT FOR XR-1A COILS
2	16	291-BH2	M6-1.0x12mm BHCS
3	16	291-BH3	M6-1.0x35mm BHCS
4	32	291-SSW	M6 FLAT WASHER
5	16	146030LN	M6 NYLOC NUT

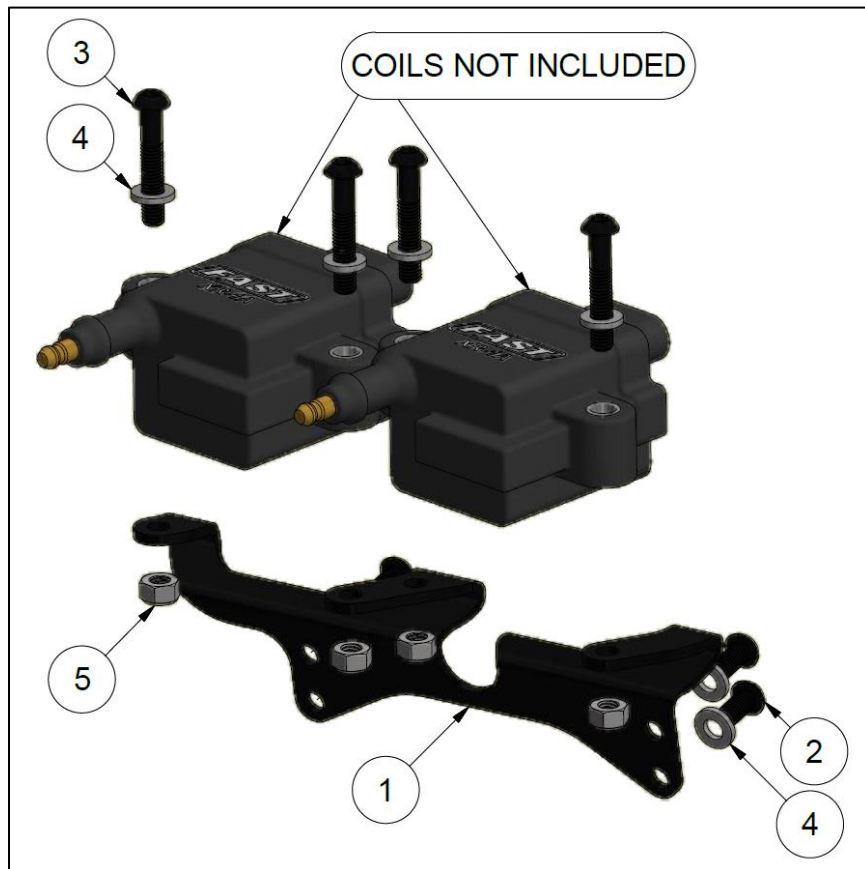


Figure 1 - P/N 290-XR-KIT Illustrated Parts List

Installation Instructions:

1. Begin by inspecting your new COMP Cams® XR-1A Coil Mounting Kit to ensure that all the parts listed in the Bill of Materials (BOM) are included in the packaging you received. This Coil Mounting Kit is designed to be the perfect complement to the COMP Cams® LS Valve Covers, providing robust, yet clean mounting solution for the ignition coils, while still allowing the valve covers to be removed from the cylinder head without having to remove the ignition coils.
2. The COMP Cams® XR-1A Coil Mounting Kit is designed around the FAST® XR-1A ignition coil, **FAST® P/N 30260.**
3. Using the exploded view in *Figure 1* as a guide, assemble the COMP Cams® XR-1A Coil Mounting brackets with your ignition coils before attaching brackets (Item 2) to the valve cover.
4. Bolt the assembly to the valve cover. Start all 4 screws of each bracket pair before continuing to tighten. Once all have been started, torque each screw to a maximum of 96 in-lbs.

Social Media

Stay up-to-date with the latest COMP Performance Group™ company and product information by following us on any of our social media platforms.



Limited Warranty

Competition Cams, Inc. warrants that all of its products are free from defects in material and workmanship, and against excessive wear for a period of (1) one year from the date of purchase. This **limited warranty** shall cover the original purchaser.

Competition Cams, Inc.’s obligation under this warranty is limited to the repair or replacement of its product. To make a warranty claim, the part must be returned within (1) one year of purchase to the address listed below, freight prepaid. Items covered under warranty will be returned to you freight collect.

It is the responsibility of the installer to ensure that all of the components are correct before installation. We assume no liability for any errors made in tolerances, component selection, or installation.

There is absolutely no warranty on the following:

- A) Any parts used in racing applications;**
- B) Any product that has been physically altered, improperly installed or maintained;**
- C) Any product used in improper applications, abused, or not used in conjunction with the proper parts.**

There are no implied warranties of merchantability or fitness for a particular purpose. There are no warranties, which extend beyond the description of the face hereof. Competition Cams, Inc. will not be responsible for incidental and consequential damages, property damage or personal injury damages to the extent permitted by law. Where required by law, implied warranties or merchantability and fitness are limited for a term of (1) one year from the date of original purchase.

This warranty gives you specific legal rights and you may also have other legal rights, which vary from state to state.